

MESSRS :

Product Drawing

CUSTOMER'S PRODUCT NAME:

TDK PRODUCT NAME: DC/AC INVERTER UNIT
CXA-0441

TDK-Lambda

TDK Corporation

Corporate Headquarters
13-1, Nihonbashi 1-chome, Chuo-ku,
Tokyo 103, JAPAN
Telephone : 81-3-3278-5111

PREPARED BY	APPROVED BY	AUTHORIZED BY
<i>DEC 28, 2007 Y.Kimura</i>	<i>DEC 28, 2007 N.Suzuki</i>	<i>DEC 28, 2007 H.Masuoka</i>

DWG.No.	CTR-2323-B
---------	------------

Precautionary Notes Regarding the Use of This Inverter

When using this product, give due consideration to the precautionary notes described below and ensure a safe design. Inappropriate use may result in electric shock, injury or fire.



Warning



- This product is subject to high voltage. Do not touch it while the power is on. Failing to do so may result in electric shock.



Caution

- This product is designed for the lighting of a Cold Cathode Fluorescent Lamp. Do not use it with any other load.
- Store this product under the conditions defined in the specification document.
- Do not store this product in an environment where dust, dirt or corrosive gas(salt,acid,base, etc.) is present.
- This product is subject to high voltage. If there is a possibility that the user may touch the product, provide a proper indication in order to draw the user's attention.
- This product is designed for use with general electronic equipment. If it is to be used with medical equipment that directly affects human life or for the control of transportation equipment to which passengers entrust their lives, provide thorough fail-safe measures.
- Avoid using this product under high temperatures or high humidity or in an environment in which dust, dirt or any corrosive gas (salt,acid,base, etc.) is present. Also,be careful not to allow the formation of dew condensation. It may result in damage or electric shock.
- If the product does not have a built-in protective circuit (circuit breaker, fuse, etc.), it is recommended that a fuse be used at the input stage to prevent the generation of smoke or fire in the event of a malfunction. Even when the product has a built-in protective circuit (circuit breaker, fuse, etc.), the circuit may not function properly due to inappropriate operating conditions or power-supply capacity. It is recommended that an appropriate protective circuit (circuit breaker, fuse, etc.) be provided separately from the built-in circuit.
- Use the product only within the specified input voltage, output power, output voltage and operating temperature ranges. Exceeding these values may result in damage, etc.
- Provide a measure for the prevention of surge voltage due to lightning, etc. Abnormal voltage may result in damage, etc.
- To prevent problems arising from short-circuiting of the high-voltage section, provide appropriate measures to prevent the entry of foreign substances following installation.
- This product is not designed to provide resistance to radiation.
- Ripples could be superimposed on the voltage and the current in the input source connected to the inverter , depending on the impedance in the input source, wiring, etc. When you select an input source, please check waveforms, etc on the final set.

Handling Precautions

- This product uses thin wires. Observe the following precautions and handle it with care so as not to cause wire breakage. Broken wire may result in damage, etc.
 - Do not stack multiple products on top of one another.
 - Do not allow the product to come in contact with tools, etc.
- Do not apply excessive stress during installation. It may cause chipping and cracking,resulting in damage, etc.
- Provide clearance between the high-voltage section of this product and the frame body on which the product is installed and also the conductor section as per listed on page 2 , [1] "Outline" .
- Please do not use the product, when dropping it, since there is a possibility of the parts damage. Please confirm abnormality is not found in the product enough when using it by any chance.

	PRODUCT NAME or MODEL,TITLE		
	DC-AC INVERTER UNIT CXA-0441		
TDK CORPORATION	NAME OF DRAWING	DRAWING No.	PAGE
	PRODUCT DRAWING	CTR-2323-B	1

1. Part Name

The part name is CXA-0441.

2. Contents

Item	Attached view	Page
[1] Outline		
1-1. Outline	[1] section	4
1-2. Connector Configuration	[1] section	5
[2] Absolute Maximum Ratings	[2] section	6
[3] Electrical specifications	[3] section	7
[4] Test Circuit	[4] section	7
[5] Reliability Test	[5] section	9
[6] Packaging and marking	[6] section	10
[7] Others		
7-1 Test Cond.	[7] section	10
7-2 Std Warranty	[7] section	10
7-3. MTTF	[7] section	10
7-4 Others	[7] section	10

PRODUCT NAME or MODEL, TITLE

DC-AC INVERTER UNIT CXA-0441

TDK CORPORATION

NAME OF DRAWING

DRAWING No.

PAGE

PRODUCT DRAWING

CTR-2323-B

2

Listed description are subject to change without notice.

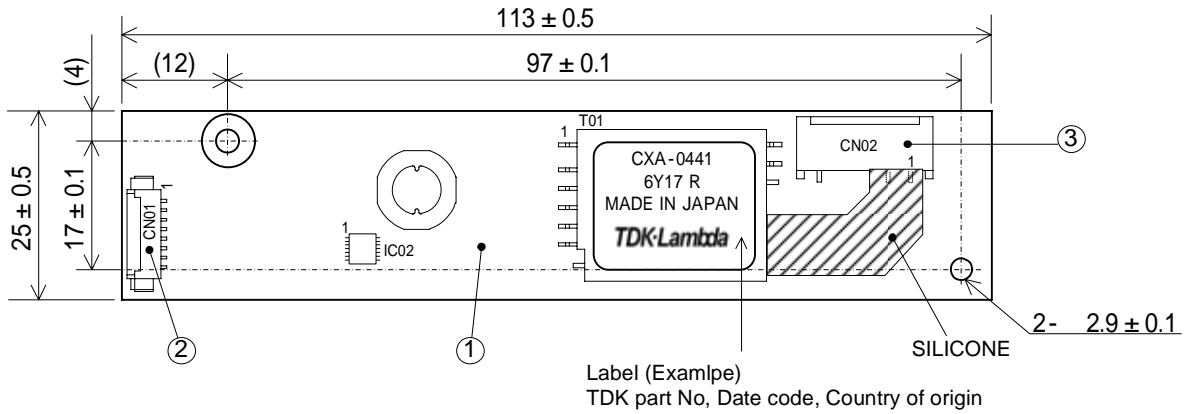
●Features●

- This inverter is for two lamps. It has Dimming function(PWM System) and Remote function.
- This product has shutdown function.
It prevents from keeping generating the high voltage when the lamps open.(Refer Note.3-4.)
- With lamp failure detector.
Normal Operation : CN1-8=0V
Some Lamps Open : CN1-8=5V
- Select the way of dimming (between CN1-6 and CN1-7)
 1. Insert a potentiometer (0-10k)
 2. Apply the voltage (0-2.5V)
- The high-voltage area (terminals and patterns) is coated with silicone so as to avoid the defects caused by dust.
- This product is conformity to RoHS directive. ()
- () Conformity to RoHS Directive: This means that, in conformity with EU Directive 2002/95/EC, lead, cadmium, hexavalent chromium, and specific bromine-based flame retardants, PBB and PBDE, have not been used, except for exempted applications.

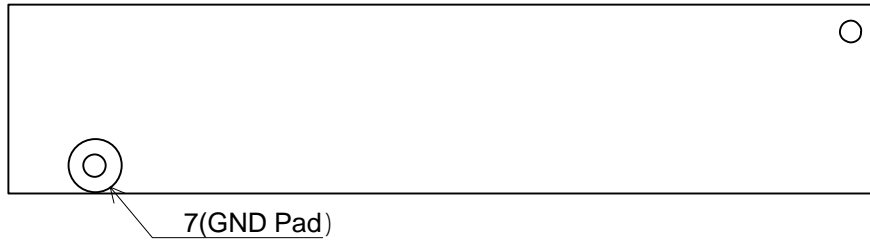
	PRODUCT NAME or MODEL, TITLE		
	DC-AC INVERTER UNIT CXA-0441		
TDK CORPORATION	NAME OF DRAWING	DRAWING No.	PAGE
	PRODUCT DRAWING	CTR-2323-B	3

[1] Outline
1-1. Outline

TOP VIEW



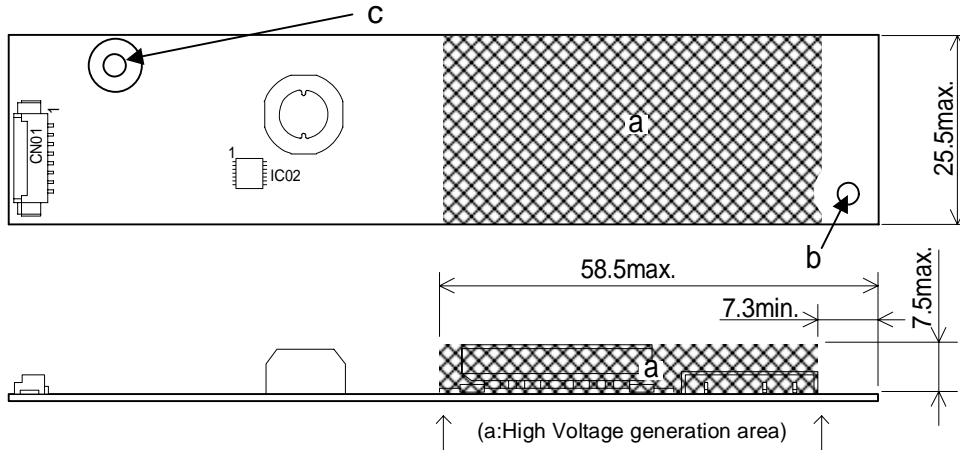
BOTTOM VIEW



Unit:mm

Weight:22.0g.typ.

High Voltage generation area



*Please secure the air clearance of 3mm or more from the high voltage generation area up and down and right and left. Please refer to Note1-3. for details.

Symbols	Product name	Material	Quantity	Notes
	PCB	Composite (CEM-3)	1	UL94V-0 t=1.0
	CN01	53261-0871	1	(MOLEX)
	CN02	SM03(7-D1)B-BHS-1-TB(LF)(SN)	1	(JST)

PRODUCT NAME or MODEL,TITLE

DC-AC INVERTER UNIT CXA-0441

TDK CORPORATION

NAME OF DRAWING

PRODUCT DRAWING

DRAWING No.

CTR-2323-B

PAGE

4

1-2. Connector Configuration

Input side CN1

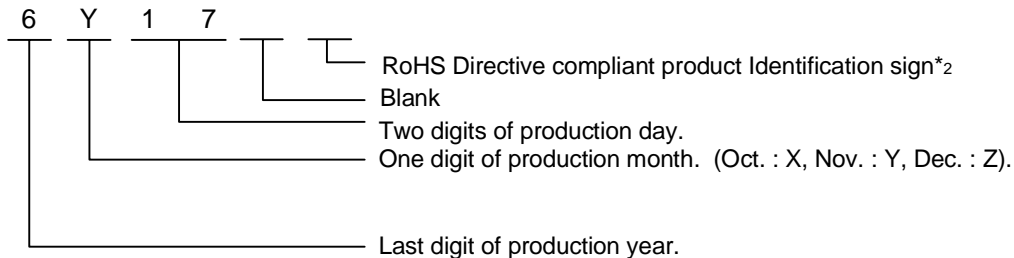
Pin No.	Symbols	Ratings	Notes
CN01-1	Vin	4.5 ~ 5.5V	Input Voltage
CN01-2			
CN01-3	GND	0V	GND
CN01-4			
CN01-5	Vrmt	0V/2.0V ~ VDDB	Remote terminal 0 ~ 0.8V:OFF 2.0V ~ VDDB:ON open:ON
CN01-6	Vbr/Rbr	0 ~ 2.5V /0 ~ 10kΩ	Control terminal 1
CN01-7	Rbr	0 ~ 10kΩ	Control terminal 2
CN01-8	A M (Out Put)	0V/5V	Alarm output 5V when lamps are open

Output side CN2

Pin No.	Symbols	Ratings	Notes
CN02-1	CFL HOT	450Vrms	Out put1
CN02-2	CFL HOT	450Vrms	Out put2
CN02-3	NC	-	-
CN02-4	CFL COLD	(2V)	Out Put1,2 RETURN

Note1-1. Marking of TDK part No, Date code, Country of origin.

- 1) TDK part No., Date code, Country of origin, is marked on the transformer.
- 2) Date code example. (ex. Nov.17 . 2006)



- 3) Country of origin code example. (ex. MADE IN JAPAN. MADE IN CHINA).

*2Conformity to RoHS Directive:This means that, in conformity with EU Directive 2002/95/EC, lead, cadmium, hexavalent chromium, and specific bromine-based flame retardants, PBB and PBDE, have not been used,except for exempted applications.

Note1-2. For circuit connection, please refer to test circuit diagram [4].

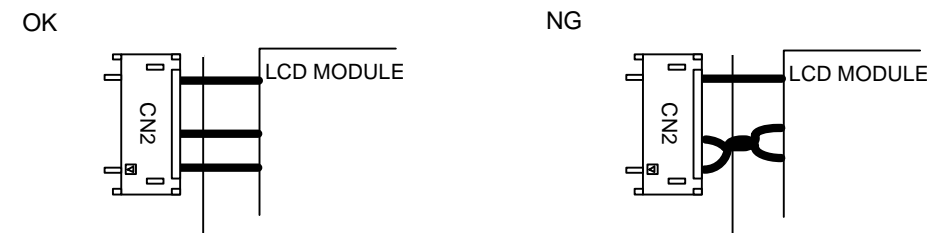
Note1-3. Please use minimum of 3mm clearance (all directions) between inverter high voltage area and any conductors. Please refer to mechanical drawing for marking of high voltage area.

Note1-4. Open voltage (strike voltage) is measured across the transformer secondary winding at no load as the reading at the output connector would be less than the actual value.

PRODUCT NAME or MODEL,TITLE			
DC-AC INVERTER UNIT CXA-0441			
TDK CORPORATION	NAME OF DRAWING	DRAWING No.	PAGE
	PRODUCT DRAWING	CTR-2323-B	5

Note1-5. If the start up voltage falls below Cold Cathode Tube strike voltage, the CCFL will not light up easily specially at lower ambient temperature. Please review mounting instruction to avoid any abnormal operation due to coupling/leakage capacitance of inverter high voltage area to any surrounding conductor.

fig1.High Voltage Code



Note1-6. Please check your lamp characteristic for minimum operational current and set the limit point in your design to avoid flickering and/or abnormal operation.

Note1-7. For proper operation of circuit protection (fuse or IC PROTECTOR), Please use minimum of 3.5A capacity for input power supply.

Note1-8. For proper operation: Don't connect the out put VLOW(CN2-4) terminal to the input GND(CN1-3,4).

Note1-9. Part b and part c are the product installation holes. Please use the screw of M2 or M2.5 for the product installation hole. It is possible to use a metallic screw (M2 or M2.5) because there is an air clearance of 2mm from the high-pressure generation part though part b is near the high-pressure generation part.

Note1-10. Due to impedance from the input source and line, ripple can overlap in the voltage/current from the input source. Though the product has an internal fuse rated at 1.75A, input ripple current should be less than 1.75A.

[2] Absolute Maximum Ratings

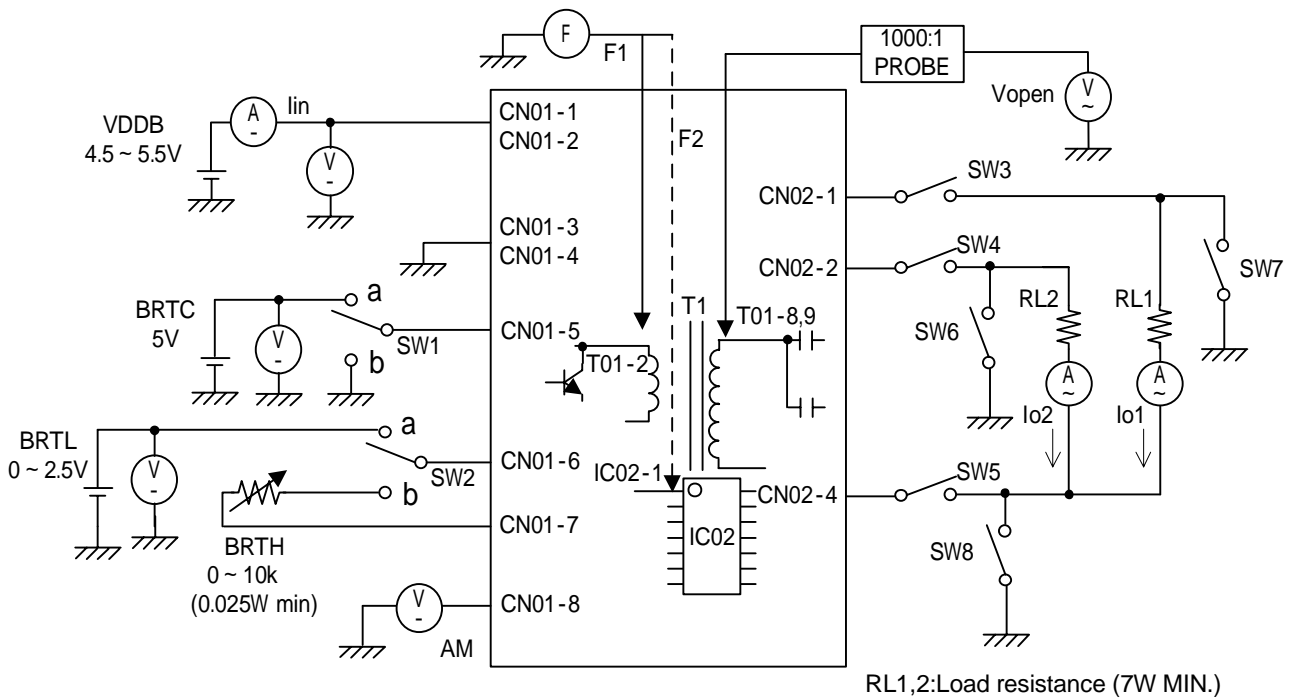
Items	Symbols	Specification	Unit	Notes
Input Voltage	Vin	0 ~ 6	V	-
	Vrmt	-1 ~ VDDb+1		
	Vbr	-1 ~ +5		
Output Power	RL	100	k	-
Operating Temp. range	Ta	-10 ~ 75		-
Storage Temp. range	Ts	-20 ~ 85		-
Humidity range	RH	95	%RH	A maximum wet ball temperature is 39°C

PRODUCT NAME or MODEL, TITLE			
DC-AC INVERTER UNIT CXA-0441			
TDK CORPORATION	NAME OF DRAWING	DRAWING No.	PAGE
	PRODUCT DRAWING	CTR-2323-B	6

[3] Electrical specifications

Item	Symbol	Conditions					Specifications			Unit
		Vin	Vrmt	Vbr	Ta()	RL1/RL2	min	typ	max	
Output Current (Brightness max.)	Iout1/2	5 ± 0.5	5 ± 0.05	2.5V or 10k	-10 ~ 75	90k 90k	4.5	5.0	5.5	mArms
Output Current (Brightness min.)	Iout1/2	5 ± 0.5	5 ± 0.05	0V or 0	-10 ~ 75	90k 90k	2.1	2.6	3.1	mArms
Input Current1	Iin1	5 ± 0.5	5 ± 0.05	2.5V or 10k	-10 ~ 75	90k 90k	-	1320	1570	mA
Input Current2	Iin2	5 ± 0.5	0	2.5V or 10k	-10 ~ 75	90k 90k	-	0.2	1	mA
Input Current3	Iin3	5 ± 0.5	5 ± 0.05	2.5V or 10k	-10 ~ 75		-	12	30	mA
Frequency	F1	5 ± 0.5	5 ± 0.05	2.5V or 10k	-10 ~ 75	90k 90k	49	52.5	56	kHz
Frequency	F2	5 ± 0.5	5 ± 0.05	0V or 0	-10 ~ 75	90k 90k	241	255	269	Hz
Open Circuit Voltage	Vopen	5 ± 0.5	5 ± 0.05	2.5V or 10k	-10 ~ 75		1250	1350	1600	Vrms
Warning Output	AM1	5 ± 0.5	5 ± 0.05	2.5V or 10k	-10 ~ 75	90k	4.0	5.1	5.5	V
	AM1	5 ± 0.5	5 ± 0.05	2.5V or 10k	-10 ~ 75	90k	4.0	5.1	5.5	V
	AM1	5 ± 0.5	5 ± 0.05	2.5V or 10k	-10 ~ 75	with GND.	4.0	5.1	5.5	V
	AM1	5 ± 0.5	5 ± 0.05	2.5V or 10k	-10 ~ 75	with GND. 90k	4.0	5.1	5.5	V
	AM1	5 ± 0.5	5 ± 0.05	2.5V or 10k	-10 ~ 75	90k with GND.	4.0	5.1	5.5	V
	AM1	5 ± 0.5	5 ± 0.05	2.5V or 10k	-10 ~ 75		4.0	5.1	5.5	V
	AM1	5 ± 0.5	5 ± 0.05	2.5V or 10k	-10 ~ 75	90k 90k	-	0	0.5	V

[4] Test Circuit



*For the number of the component's position, please refer to Outline diagram [1].

PRODUCT NAME or MODEL, TITLE			
DC-AC INVERTER UNIT CXA-0441			
TDK CORPORATION	NAME OF DRAWING	DRAWING No.	PAGE
	PRODUCT DRAWING	CTR-2323-B	7

Note.4-1.SW1(ON/OFF) Operation is as following;

SW1	Operation of unit
a	Operation
b	Non operation
Open	Operation

Note.4-2.SW2(ON/OFF) Operation is as following;

SW2	Operation of unit
a	*Voltage dimming Vbr=0~2.5V
b	*Variable resistance dimming VR=0~10k

*Vbr=2.5V:brightness MAX.
Rbr=10k :brightness MAX.

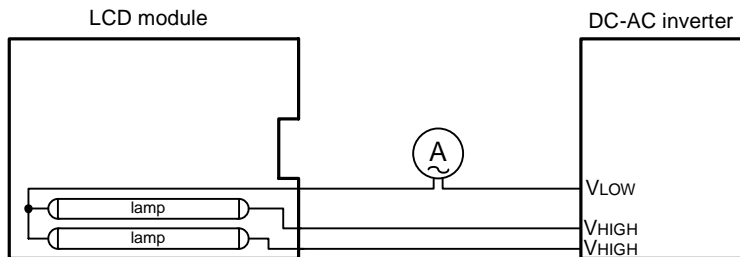
Note.4-3.SW3 ~ 5(ON/OFF) Operation is as following;

SW3 ~ 5	Alarm Signal
Open	Operation (5V output)
Close	Non operation(0V output)

SW6 ~ 8	Alarm Signal
Open	Non operation(0V output)
Close	Operation (5V output)

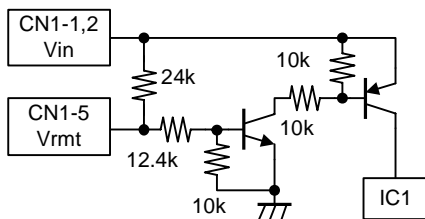
- (V) Digital Multiple Meter(ADVANTEST R6452A or equivalent)
- (A) DC Current Meter(ADVANTEST R6452A or equivalent)
- (F) Frequency Countor(ADVANTEST R6452A or equivalent)
- (V) True RMS Meter(NF Circuit M2170or equivalent)
- (A) High Frequency Current Meter(FLUKE187or equivalent)
- 1000:1 High Voltage Probe(Tektronix P6015A or equivalent)

Connection diagram of LCD module (Reference)



*Connect the High Frequency Current Meter to the Low-Voltage (VLOW) side.

Remote terminal circuit (Reference)



PRODUCT NAME or MODEL, TITLE

DC-AC INVERTER UNIT CXA-0441

TDK CORPORATION

NAME OF DRAWING

PRODUCT DRAWING

DRAWING No.

CTR-2323-B

PAGE

8

[5] Reliability Test

Following test items are assured.

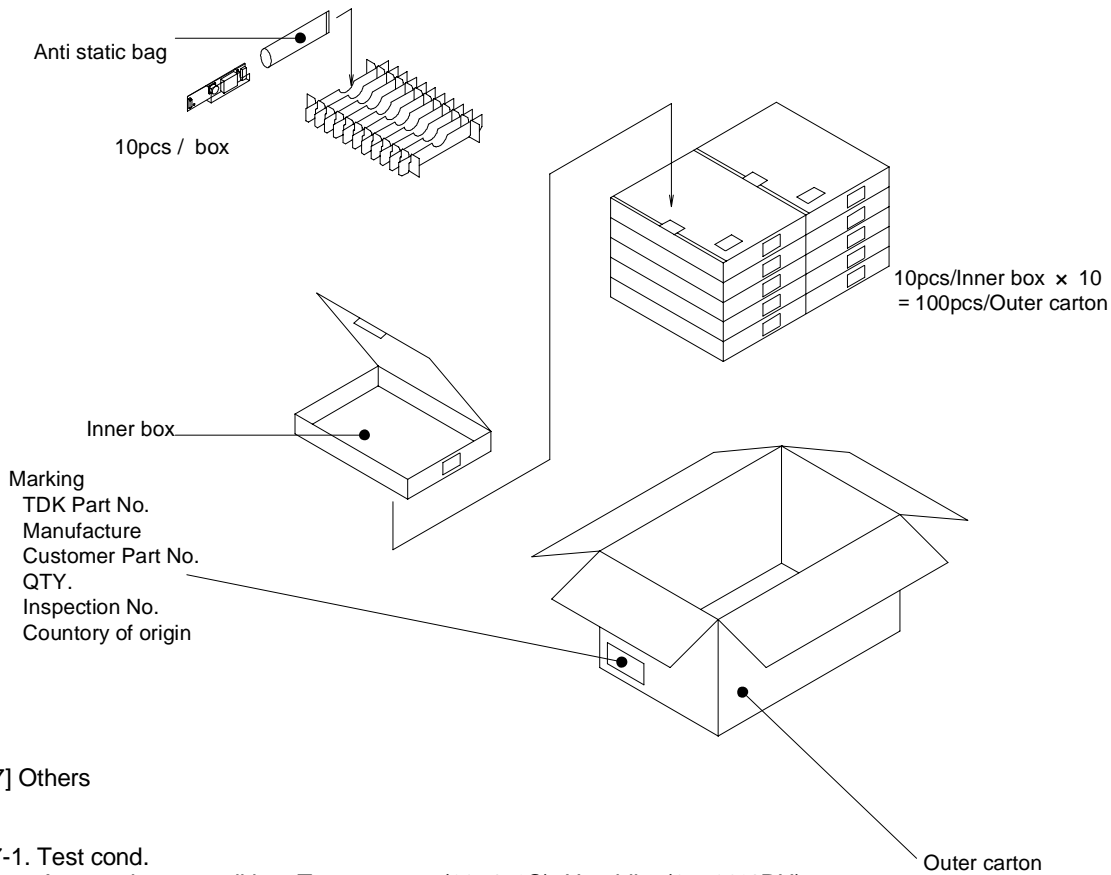
Items	Conditions	Judgement
Low Temp.Non operational	-20 500h	Electrical and apperrance should be in the spec.
Low Temp.operational	-10 1000h	
High Temp.Non operational	85 500h	
High Temp.operational	75 1000h	
Heat shock	-20 85 30min.Each 100 Cycles	
Humidity (Non operational)	60 90%RH 1000h	
Vibration	5 ~ 100Hz 19.6m/s ² Sweep:11min 120min each axis X,Y,Z	
Shock	539.4m/s ² 11ms Harf-sine pulse 5 time each axis ±X,Y,Z	

PRODUCT NAME or MODEL,TITLE			
DC-AC INVERTER UNIT CXA-0441			
TDK CORPORATION	NAME OF DRAWING	DRAWING No.	PAGE
	PRODUCT DRAWING	CTR-2323-B	9

[6] Packing and Marking

A shipping box is packaged to avoid from water or damage. Following items are printed on the box.

- 6-1. TDK part No. CXA-0441
- 6-2. Manufacture TDK
- 6-3. Customer part No.
- 6-4. QTY.
- 6-5. Inspection No.
- 6-6. Country of origin



[7] Others

7-1. Test cond.

A normal test condition :Temperature (20±15°C), Humidity (65±20%RH).

7-2. Std warantrny

One year after shipment.This covers any defects in material or workmanship. Defective units will be replaces at no charge.

7-3. MTTF

MTTF which calculated according to MIL-HDBK-217-F is as follows.

TEMPERATURES	25
MTTF	870000 hours or more

7-4. Others

TDK and customer are to discuss changes,problems, and modifications and etc, when needed.

PRODUCT NAME or MODEL,TITLE			
DC-AC INVERTER UNIT CXA-0441			
TDK CORPORATION	NAME OF DRAWING	DRAWING No.	PAGE
	PRODUCT DRAWING	CTR-2323-B	10