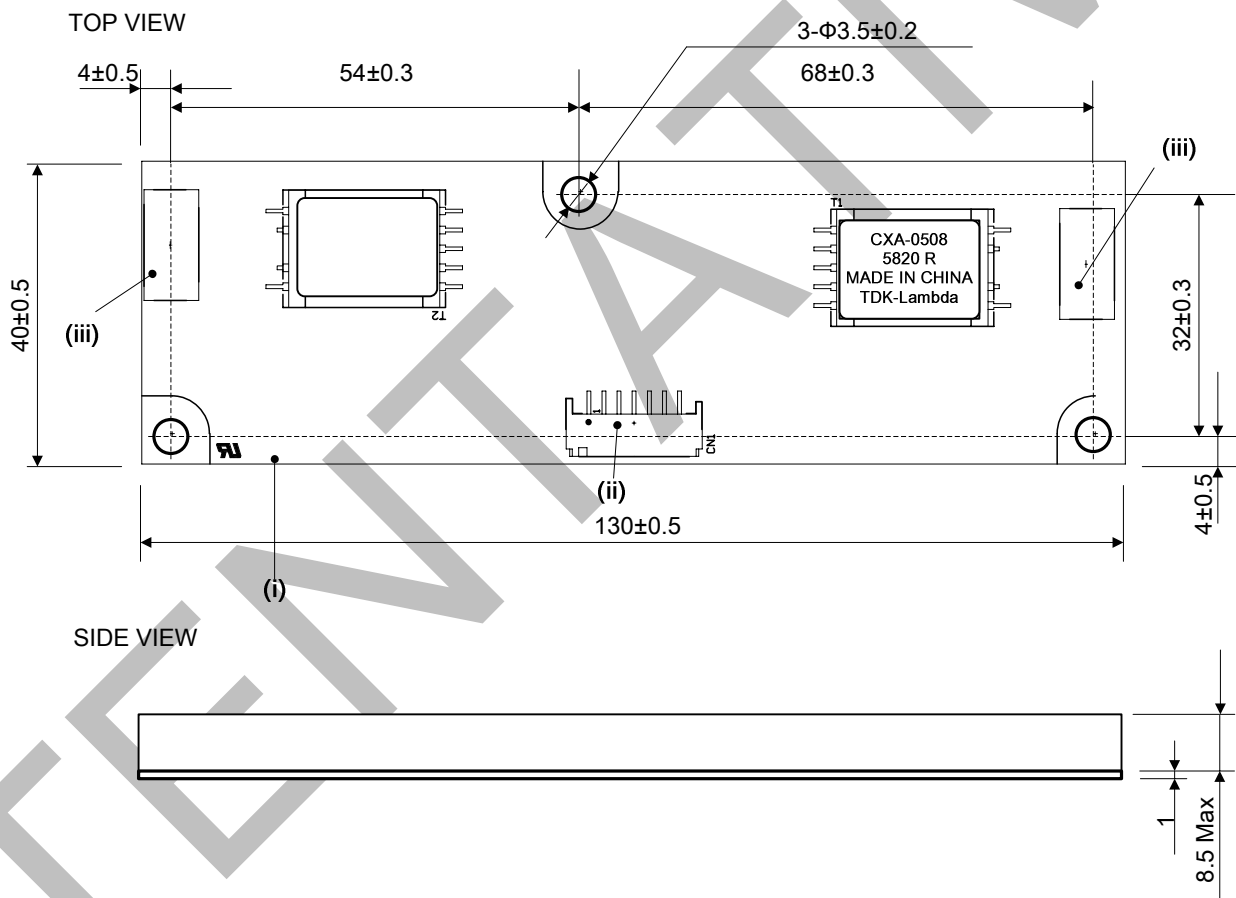


CXA-0508 (8W DUAL OUTPUTS WITH DIMMING FUNCTION)

●Product Outline●

- This product is a 2-lamp inverter and has dimming functions (PWM method) and remote functions.
 - This product has a shutdown function for safety to stop high voltage generation when one loads (lamps) are open.
 - This product has an alarm output (a detection function for lamp blowout) to inform abnormality of lamps (loads) when it detects the non-lighting condition (open state of the loads) of the lamps.
When loads (lamps) are connected normally, 3V is output on CN1-6, and when loads (lamps) are open, 0V is output on CN1-6.
 - The high voltage generating section is coated with silicone as a measure against dust.
 - This is a RoHS Directive compliant(※) product.
- (※)RoHS Directive compliant: This means that, except for exempted applications, lead, cadmium, mercury, hexavalent chromium, and specified bromite fire retardant materials of PBB and PBDE are not used based on EU Directive 2002/95/EC.

[1] External appearance/structure and dimensions



Unit:mm

No.	Product name	Type name / material	Quantity	Remarks	Recommended conforming connector
(i)	PCB	Composite (CEM-3)	1	UL94V-0 t=1.0	-
(ii)	Input Connector CN1	S7B-PH-SM4-TB(LF)(SN)	1	JST	PHR-7
(iii)	Output Connector CN2,CN3	SM02(8.0)-BHS-1-TB(LF)(SN)	2	JST	BHR-03VS-1

CXA-0508 (8W DUAL OUTPUTS WITH DIMMING FUNCTION)

[2] Pin connection

CN1 (INPUT)

Pin No.	Symbol	Rating	Notes
CN1-1	Vin	11.4 ~ 12.6V	Input voltage
CN1-2			
CN1-3	GND	0V	GND
CN1-4			
CN1-5	Vbr	0 ~ 2.5V	Luminance Adjustment
CN1-6	Vst	0/3V	Alarm output At normal times : 3V At abnormal times : 0V
CN1-7	Vrmt	5V/0V	0 ~ 0.4V : OFF 2.5 ~ Vin : ON

CN2 (Output)

Pin No.	Symbol	Rating
CN2-1	VHIGH1	670Vrms
CN2-3	VLOW1	(2V)

CN3 (Output)

Pin No.	Symbol	Rating
CN3-1	VHIGH2	670Vrms
CN3-3	VLOW2	(2V)

[3] Absolute maximum rating

Item	Symbol	Spec	Unit
Input voltage	Vin	0 ~ 14	V
Max load	RL	TBD	kW
Operating temperature range	Ta	-10 ~ 60	°C
Storage temperature range	Ts	-30 ~ 85	°C
Humidity range	RH	95	%RH *

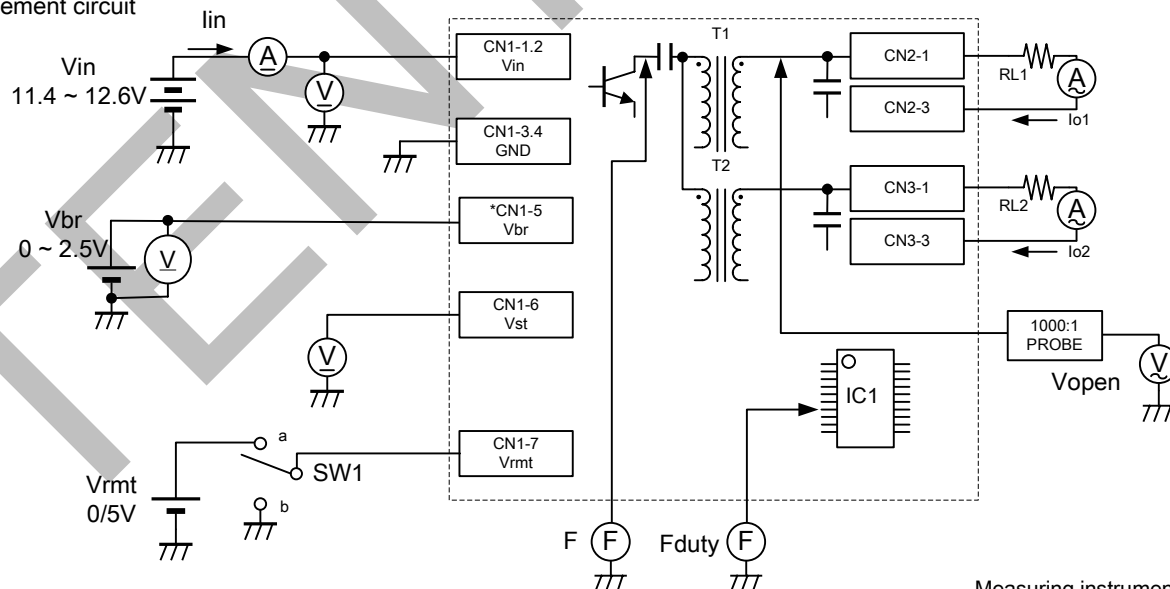
* Maximum wet-bulb temperature to be 38°C.
No condensation to occur.

CXA-0508 (8W DUAL OUTPUTS WITH DIMMING FUNCTION)

[4] Electrical characteristics

Item	Symbol	Condition					Spec			Unit
		Vin [V]	Vbr [V]	Vrmt [V]	Ta [°C]	RL1 [kW] RL2 [kW]	MIN.	TYP.	MAX.	
Output current(MAX)	Io1/2	11.4 ~ 12.6	2.5	5	-10 ~ 60	TBD TBD	6.0	6.5	7.0	mArms
Output current(MIN)		11.4 ~ 12.6	0	5	-10 ~ 60	TBD TBD	2.1	3.0	3.9	
Input current	Iin	11.4 ~ 12.6	2.5	5	-10 ~ 60	TBD TBD	-	0.9	2.0	A
Oscillation frequency	F	11.4 ~ 12.6	2.5	5	-10 ~ 60	TBD TBD	TBD	55	TBD	kHz
Dimming frequency	Fduty	11.4 ~ 12.6	0	5	-10 ~ 60	TBD TBD	TBD	160	TBD	Hz
Alarm output	Vst	11.4 ~ 12.6	2.5	5	-10 ~ 60	∞ TBD	-	0	0.5	Vdc
						TBD ∞				
						TBD TBD				
open-circuit voltage	Vopen	11.4 ~ 12.6	2.5	5	-10 ~ 60	∞ ∞	1500	1800	-	Vrms

[5] Measurement circuit



Remotely operation

SW1	Unit operation
a	Operates
b	Does not operate
OPEN	Does not operate

Protection circuit operation

Load condition	Alarm signal (CN1-6)	Shutdown function
Load At normal times	3V	Does not shut down
When one load (lamp) is N.G.	0V	Shuts down
When two load (lamp) is N.G.	0V	Shuts down

Measuring instrument machine

- Digital Multi Meter
- DC Current Meter
- True RMS. Meter
- Frequency Counter
- High Frequency Current Meter
- High Voltage Probe